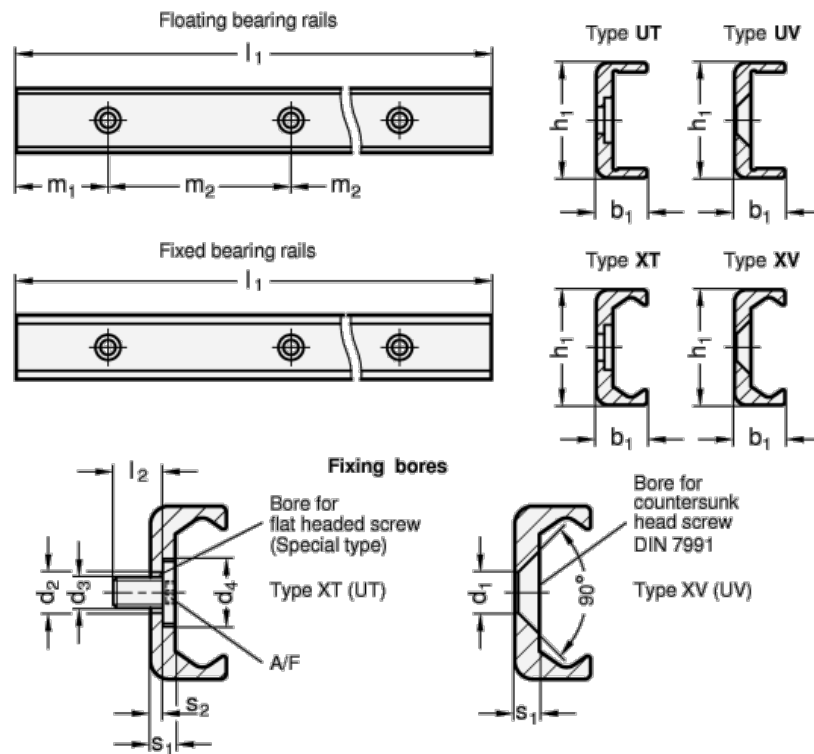


Article number: 20242235104040XT

Description: E+G Compact Profile GN 2422-35-1040-40

## Measures



A/F = T30	L2	= 12
b1 = 16.5	m1	= 40
d1 =	m2	= 80
d2 = 8	s1	= 3.5
d3 = M6	s2	= 2.7
d4 = 15	Weight in (g)	= 1654
h1 = 35		
L1 = 1040		